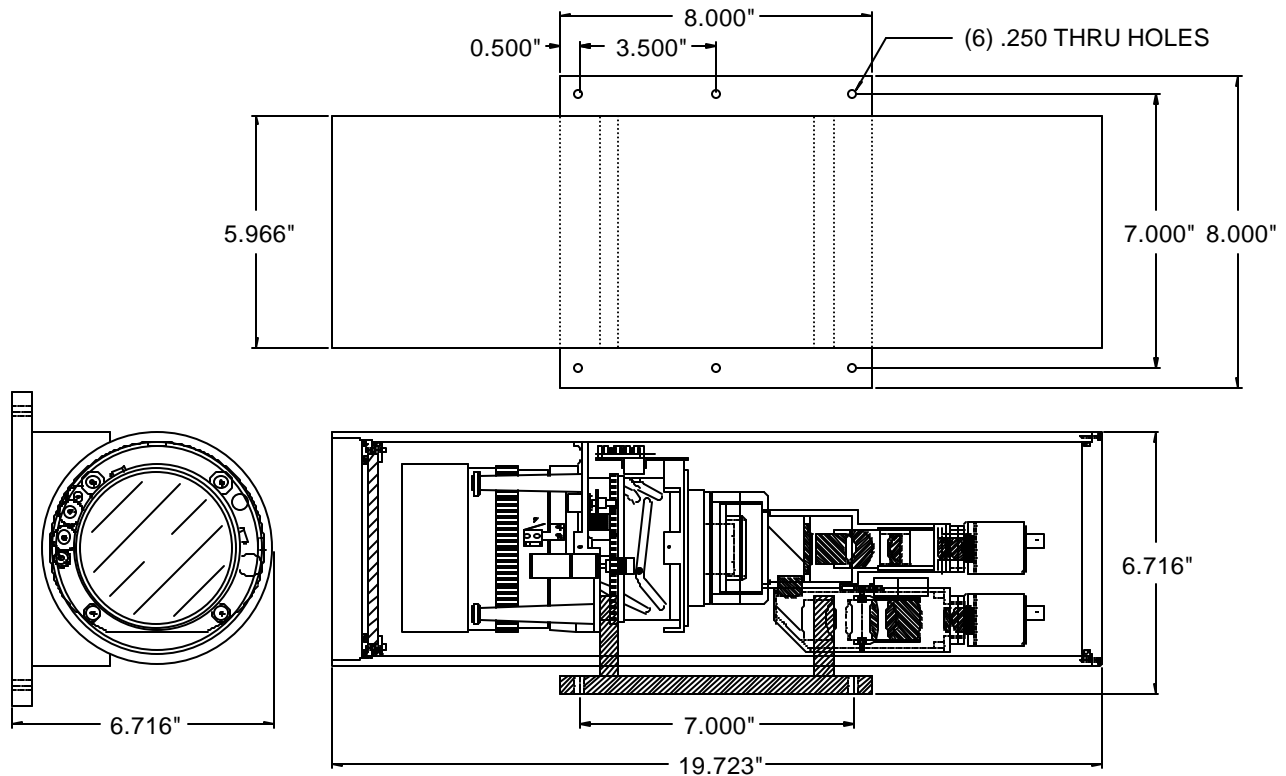


GRAFLEX....INTENSICON

INTENSICON w/12X REFRACTIVE ZOOM LENS MECHANICAL DATA



MECHANICAL

Weight:	18 LBS (Approximate)
Length (Zoom Chamber):	19.723" (Standard)
Diameter:	8.56"
Construction:	Aluminum and Stainless Steel
Finish:	Anodized

NOTE: Camera chamber length may increase subject to customer camera requirements.

OPTIONS

- Internal Temperature Sensor (Digital Only)
- Internal Pressure Sensing (Digital Only)
- Finish Color
- Environmental Sealing & Purging

GRAFLEX Incorporated



Always on Target

1281 North Ocean Drive - Suite 201 - Riviera Beach, FL 33404 - USA

Telephone: (561)842-2600 Fax: (561)842-3020 E-mail: Sales@Graflex.com