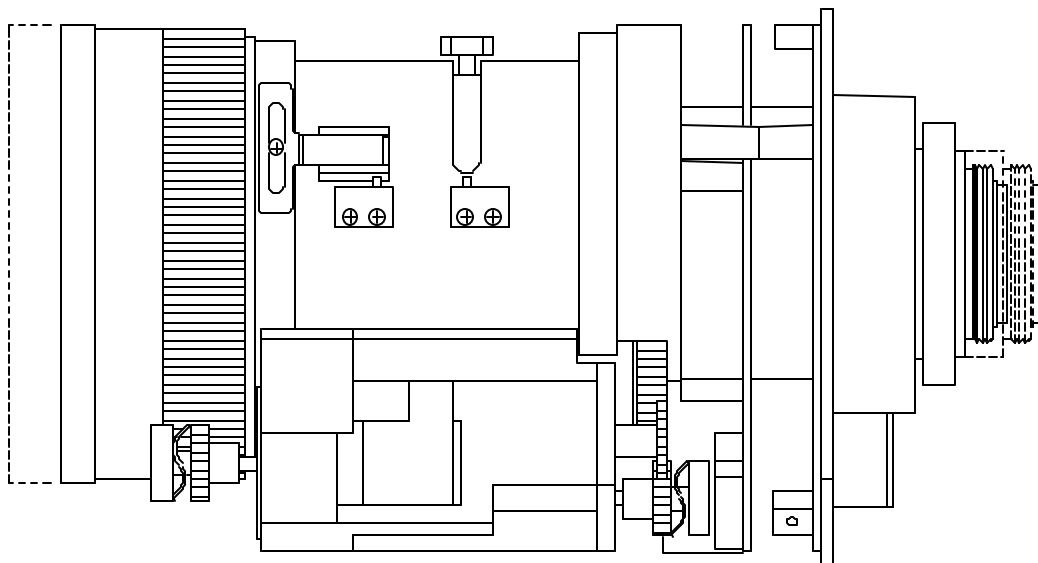


GRAFLEX....Zoom Lenses

10X MOTORIZED ZOOM LENS



This zoom lens has been designed to perform in the most severe environmental conditions. The compact and rugged construction coupled with excellent mechanical and optical performance make it an ideal candidate for numerous military applications. The 10X is offered in two ratings.

Features

- Tested & proven in many moderate-to-severe applications
- Excellent MTF/resolution
- Excellent boresighting throughout zoom range
- Motorized zoom, focus, and iris with metal drive gears
- Options include override relay for remote selection of auto iris or manual iris and multiple mounting brackets

Applications

- Surveillance
- Tracking pedestals
- Video fire control systems
- Remote piloted vehicles
- General security

GRAFLEX Incorporated



Always on Target

1281 North Ocean Drive - Suite 201 - Riviera Beach, FL 33404 - USA
Telephone: (561)842-2600 Fax: (561)842-3020 E-mail: Sales@Graflex.com

GRAFLEX....Zoom Lenses

10X MOTORIZED ZOOM LENS

GENERAL OPTICAL SPECIFICATIONS

Zoom Ratio	10X
Focal Length	18-180mm f2.7 24-240mm f3.6
Free Aperture	54mm
Focus Range	1.5 meters to Infinity
Mount	C
Flange Focus	17.5mm
Gradient Filter	Yes

OPTICAL FEATURES

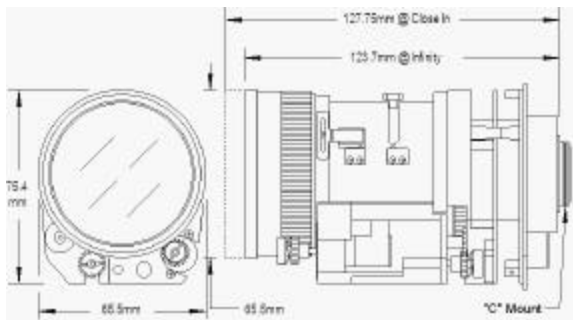
- * Boresighting to .15mrad
- * Excellent resolution/MTF
- * Auto iris

OPTICAL OPTIONS

- * 24-240mm configuration available with extended BFL to accept beam splitter
- * AI Bypass/Override

10X Motorized Zoom Optical Data								
Mag	Rating	f#	LP/mm		Coverage	Format	HFOV	
			@ WA	@ Tele			WA	Tele
10X	18-180mm	f2.7	390	275	2/3"	2/3"	27.5	2.8
						1/2"	20.01	2.04
						1/3"	15	1.53
10X	24-240mm	f3.6	200	240	1"	1"	29.9	3.1
						2/3"	20.55	2.13
						1/2"	14.95	1.55
						1/3"	11.21	1.16

MECHANICAL DRAWING



FEATURES & OPTIONS

- * Position Pots
- * Various mounting brackets

ELECTRICAL SPECIFICATIONS

Voltage	6,9, or 12 Vdc
Power	Contact Factory

GENERAL SPECIFICATIONS

Dimensions	Reference drawing
Weight	~610 Grams

ENVIRONMENTAL SPECIFICATIONS

Temperature	Storage/Transit	-35 Degrees C, +71 Degrees C
	Operation	-20 Degrees C, +50 Degrees C
Vibration	MIL STD 810, Method 514.4, Category 6, Procedure 1	
Shock	MIL STD 810, Method 516.4, Category 6, Procedure 1	

GRAFLEX Incorporated



Always on Target

1281 North Ocean Drive – Suite 201 - Riviera Beach, FL 33404 – USA

Telephone: (561)842-2600 Fax: (561)842-3020 E-mail: Sales@Graflex.com